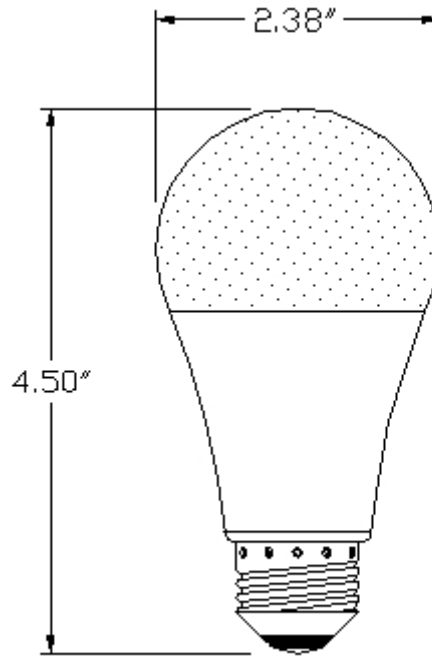




AMGLO KEMLITE LABS INC.

LOCOMOTIVE ROUGH SERVICE

A19 LED LAMP 75V 6W E26



AK-6WLL-DC

Specifications	
Base Options	E26, E27
Operating Temperature	-40 to 70 Celsius
Materials	PVC/Acrylic
Beam Angles	270°
Power Factor	> 0.95
Rated Life	50,000 hours
RFI / EMI	Meets EMI Standard EN 55015
Power Configurations	
Power Consumption	6W
Voltage	75 VDC
Color	6,000k
Brightness	550+ lm
MEETS AAR SPECIFICATIONS (Direct Replacement for GE 50A19/RS-75V)	

“Making Light Behave Since 1935”